



# BARRIER GATE - DARK GREY w/ 24V MOTOR

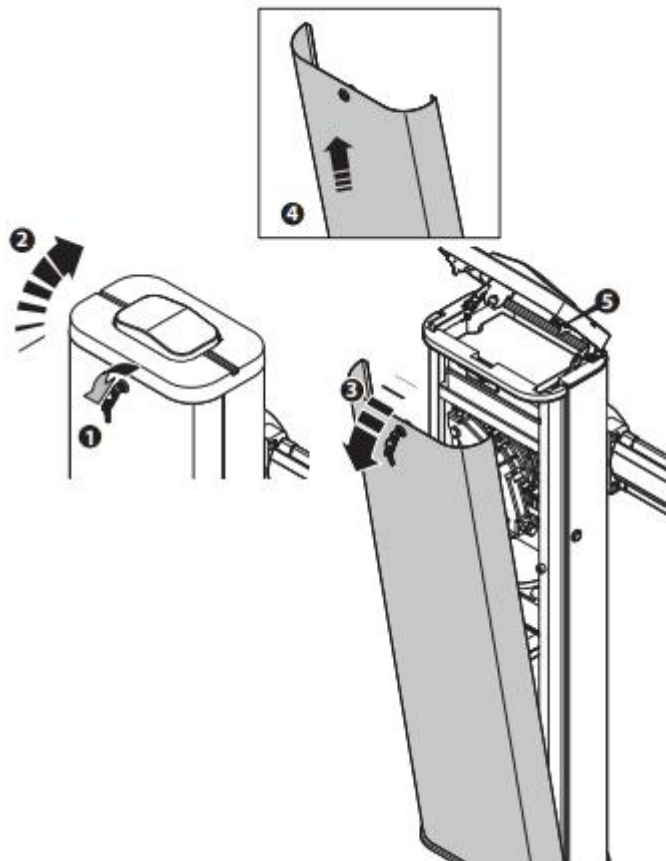
Model: CB ELDOM2DG / CB ELDOM34DG / CB ELDOM5DG

CB ELDOM6DG / CB LDOM7DG / CB ELDOM8DG

## Barrier Reset

### Opening the barrier

- First unlock unit as shown in sequence 1 and lift lid up as sequence 2.
- Tilt the barrier door forward and left out of position (sequence 3 and 4).



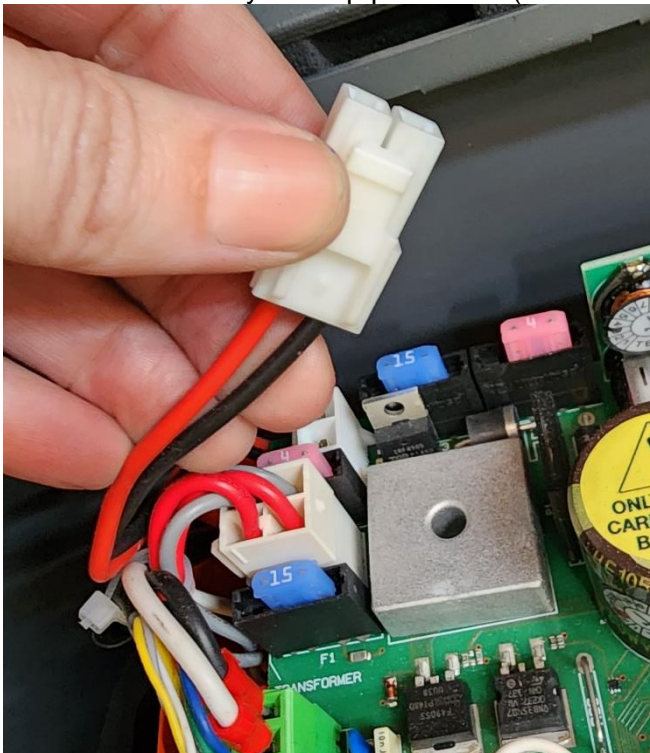
- Tilt the barrier door forward and left out of position (sequence 3 and 4).

### Disconnect Power to the Barrier

- Unplug the barrier's power cable located at the bottom of the barrier
- Unscrew the clear plastic lid on the control box at the top of the barrier



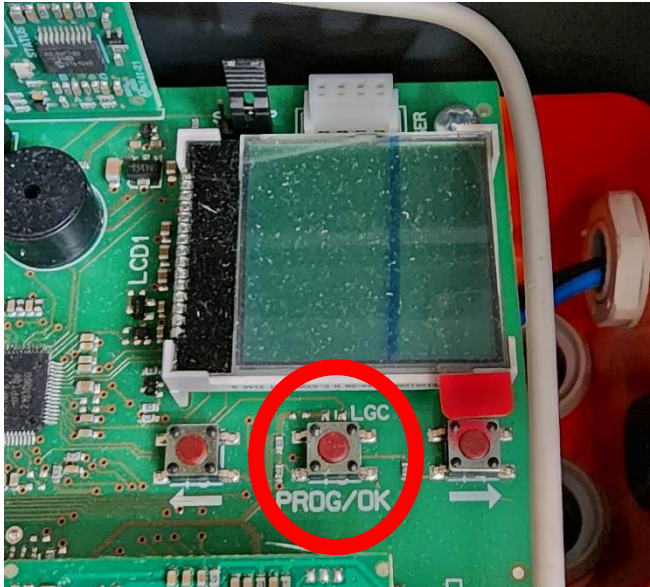
- Remove the battery backup pin socket (white connector with red/black wire) as indicated in image.



- Once the power to the barrier has been completely disconnected, plug the socket back into its position and plug back the mains power to the barrier.

### Resetting Barrier

- Press and hold the middle button on the control card below the LED screen until the LED displays "PAUSED"



- Press the middle button again, the LED screen will start counting; 1, 2, 3. Once it gets to 3 press the middle button again.
- The barrier will then go into auto test and should function as normal as soon as it is done testing.